



**emiliomiti llc**

1592 Union St.  
San Francisco, CA  
94123

P: 415-255-9175

F: 415-520-9850

info@volanobiz.com

## Legend 250 Meat Slicer



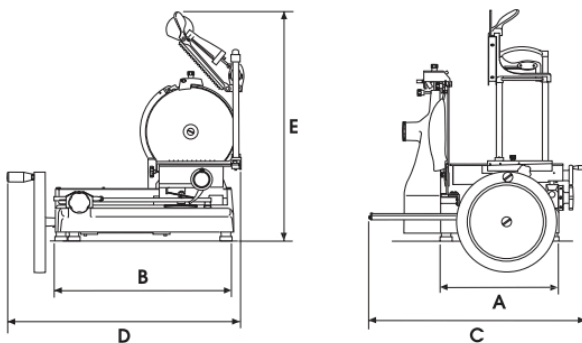
### 250mm Hand Crank Meat Slicer

- 250mm (9.84") stainless steel blade
- Full manual operation
- Stainless steel and aluminum construction
- Large decorated flywheel
- 10 step thickness adjustment: 0mm - 2.0mm
- Integrated sharpening stones
- Protective rubber feet
- Matching base available
- Custom colors available at additional cost

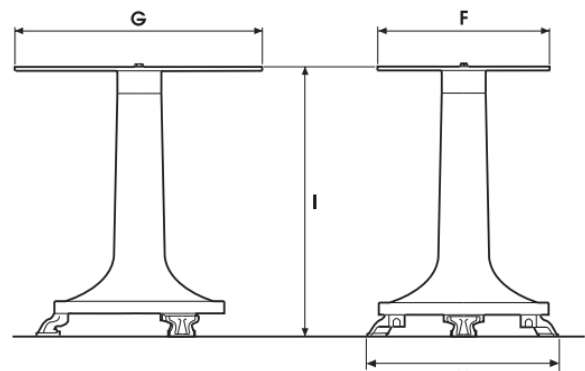
### SPECIFICATIONS

Blade Diameter	250mm (9.84")
Cut Thickness Range	0 - 2mm
Cut Dimension	270mm x 240mm (10.6" x 9.4")

### DIMENSIONS



A	290mm	11.41 in
B	380mm	14.96 in
C	520mm	20.47 in
D	680mm	26.77 in
E	510mm	20.08 in
Weight	33 Kg	72.6 lbs



F	325mm	12.80 in
G	415mm	16.34 in
H	650mm	25.60 in
I	800mm	31.50 in
Weight	42.9 Kg	94.4 lbs