



emiliomiti llc

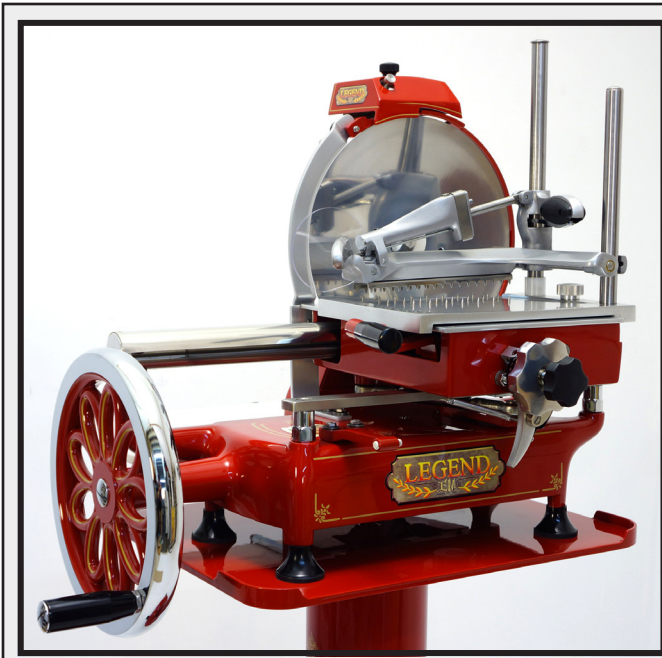
1592 Union St.
San Francisco, CA
94123

P: 415-255-9175

F: 415-520-9850

info@volanobiz.com

Legend 300 Meat Slicer



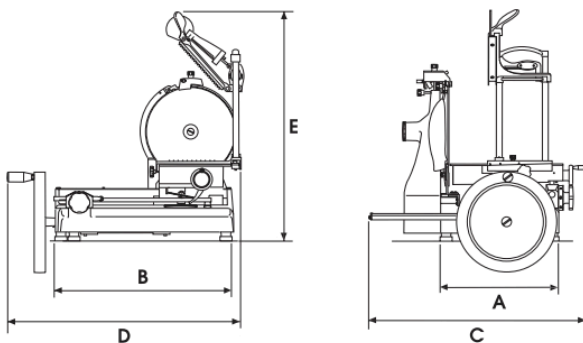
300mm Hand Crank Meat Slicer

- 300mm (11.8") stainless steel blade
- Full manual operation
- Stainless steel and aluminum construction
- Large decorated flywheel
- 10 step thickness adjuster : 0mm - 2mm
- Integrated sharpening stones
- Protective rubber feet
- Matching base available
- Custom colors available at additional cost

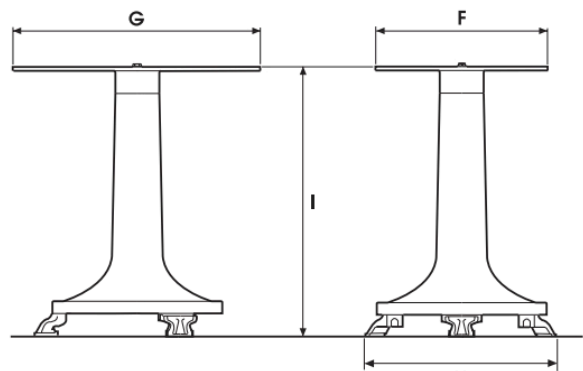
SPECIFICATIONS

Blade Diameter	300mm (11.81")
Cut Thickness Range	0 - 2mm
Cut Dimension	230mm x 190mm (10.6" x 9.4")

DIMENSIONS



A	340mm	13.38 in
B	400mm	15.75 in
C	600mm	23.62 in
D	720mm	28.35 in
E	740mm	29.13 in
Weight	45.5 Kg	100 lbs



F	400mm	15.75 in
G	500mm	19.69 in
H	650mm	25.60 in
I	800mm	31.50 in
Weight	45.7 Kg	101 lbs