



emiliomiti llc

1592 Union St.
San Francisco, CA
94123

P: 415-255-9175

F: 415-520-9850

info@volanobiz.com

Legend 350 Meat Slicer



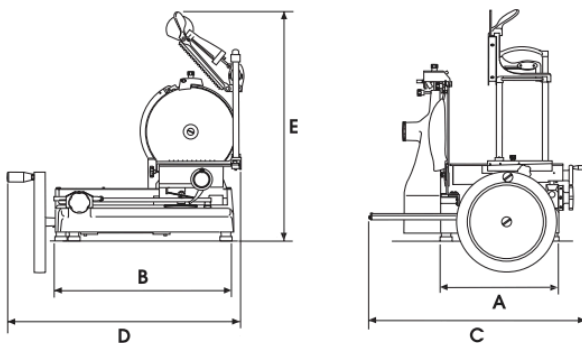
350mm Hand Crank Meat Slicer

- 350mm (13.75") stainless steel blade
- Full manual operation
- Stainless steel and aluminum construction
- Large decorated flywheel
- 10 step thickness adjustment: 0mm - 2.5mm
- Integrated sharpening stones
- Protective rubber feet
- Matching base available
- Custom colors available at additional cost

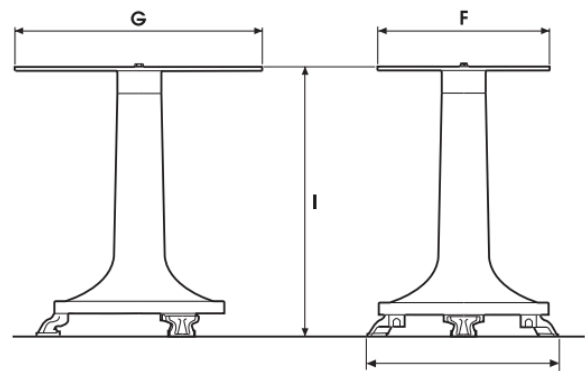
SPECIFICATIONS

Blade Diameter	350mm (13.75")
Cut Thickness Range	0 - 2.5mm
Cut Dimension	270mm x 240mm (10.6" x 9.4")

DIMENSIONS



A	400mm	15.74 in
B	650mm	25.60 in
C	710mm	27.95 in
D	870mm	34.25 in
E	800mm	31.49 in
Weight	81 Kg	178 lbs



F	600mm	23.62 in
G	730mm	28.74 in
H	650mm	25.60 in
I	795mm	31.30 in
Weight	75 Kg	165 lbs