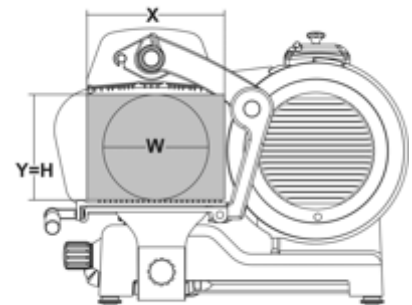
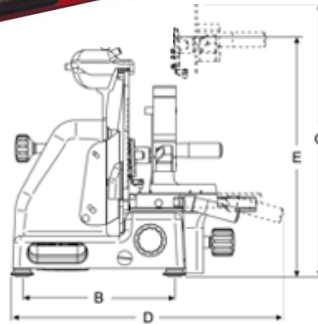
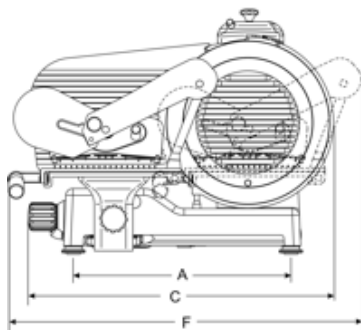


Mantegna 330 BS



- Innovative rounded design and no sharp edges or visible screws.
- Chrome plated ground and lapped cast iron slide rod bushing.
- Vulcanized rubber stops on carriage and removable support cover for thickness gauge plate.
- Stainless steel slice deflector with snap-on bayonet fitting, and stainless steel screws and fittings.
- Bottom cover for accessing electrical components.
- Built-in sharpening tool with bottom protection.
- Easy to remove grease guard mounted along the thickness gauge plate.
- Standard blade removal tool, plastic knobs, rubber feet.
- Plastic pushbuttons with IP67 protection rating.
- Available in silver and now also red (additional cost).



Knife	13" (330 mm)	A	468 mm	G	705 mm
Motor	0.37 HP (275W)	B	338 mm	X	270 mm
Hopper Size	300 x 270 mm	C	645 mm	Y	240 mm
Carriage Travel	310 mm	D	600 mm	H	240 mm
Slice Thickness	30 mm	E	515 mm	W	240 mm
Net Weight	41 Kg	F	750 mm		



**The International
Mark of quality
and safety**
Dir. 2006/42/CE



Meets all safety and
sanitation standards worldwide

Email: info@volanobiz.com ♦ Phone: + (415) 621-1909 ♦ Fax: + (415) 520-9850